



2005-2022 4T RR and Race Wiring Diagrams

CONFIDENTIALITY NOTICE

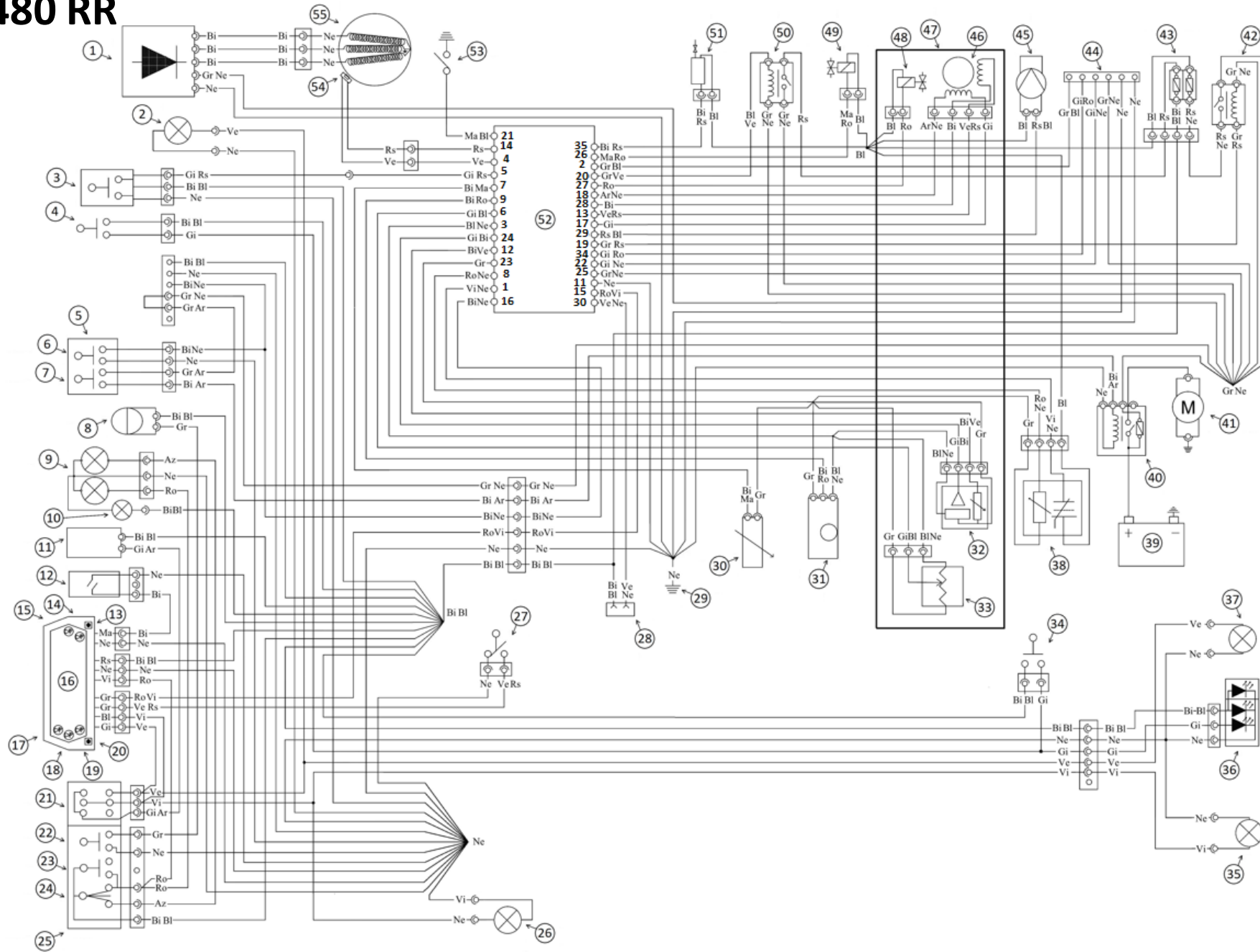
This message (including any attachments) contains information that may be confidential and is for authorized Beta Dealer's use only.

11-21

Work must be performed by
trained technician.

Beta USA, Inc.
PO Box 4099
Paso Robles, CA 93447

2022+ 350-480 RR

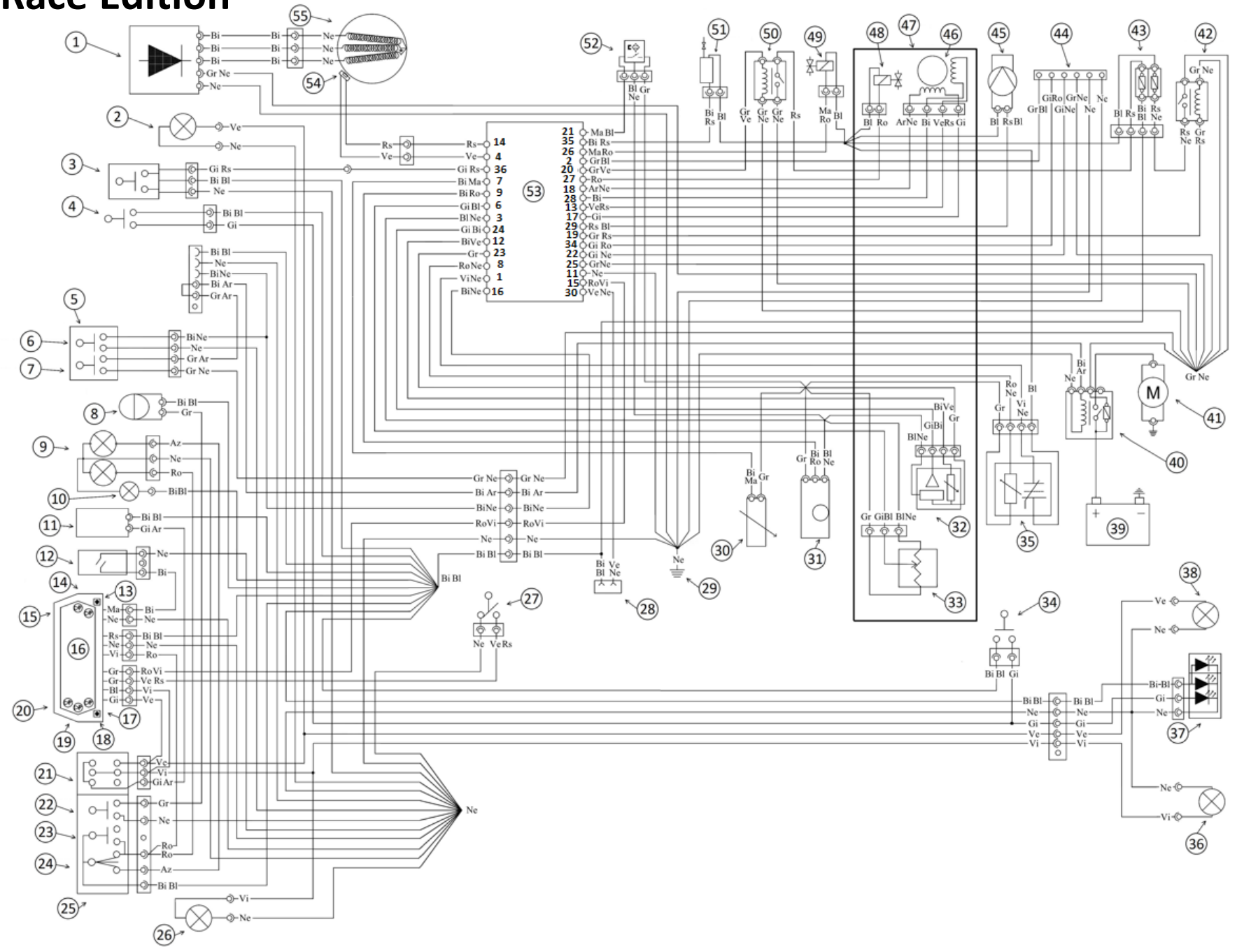


- Bi – WHITE
- Ve – GREEN
- Ma – BROWN
- Vi – PURPLE
- Bl – BLUE
- Ne – BLACK
- Gi – YELLOW
- Rs – RED
- Ar – ORANGE
- Az – LIGHT BLUE
- Ro – PINK
- Gr – GREY

2022+ 350-480 RR Legend

- 1) Regulator
- 2) Right front blinker
- 3) Map switch
- 4) Front brake light switch
- 5) Right hand switch
- 6) Kill button
- 7) Start button
- 8) Horn
- 9) Front headlight 12v 35/35 bulb
- 10) Headlight low beam
- 11) Flasher
- 12) Wheel speed sensor
- 13) Meter adjust button
- 14) EFI warning light
- 15) Right signal indicator
- 16) Speedometer
- 17) Fuel reserve light
- 18) Meter select button
- 19) Left signal indicator
- 20) High beam indicator
- 21) Blinker switch
- 22) Horn button
- 23) Headlight flash switch
- 24) Light switch
- 25) Left hand switch
- 26) Left front blinker
- 27) Fuel reserve sensor
- 28) Plug for optional cooling fan
- 29) Frame ground
- 30) Engine temp sensor
- 31) Tip over sensor
- 32) T-map sensor
- 33) TPS sensor
- 34) Rear brake stop light switch
- 35) Left rear bliner
- 36) Rear tail/brake light
- 37) Right rear blinker
- 38) O2 sensor (EU only)
- 39) Battery
- 40) Starter relay (solenoid)
- 41) Starter motor
- 42) Main relay with 10A fuse
- 43) 10 A fuses
- 44) Diagnostic port
- 45) Fuel pump
- 46) Stepper motor
- 47) Throttle body
- 48) Front injector
- 49) Rear injector
- 50) Accessories relay
- 51) Coil
- 52) ECU
- 53) Neutral safety switch
- 54) Pick up sensor
- 55) Stator

2022+350-480 Race Edition

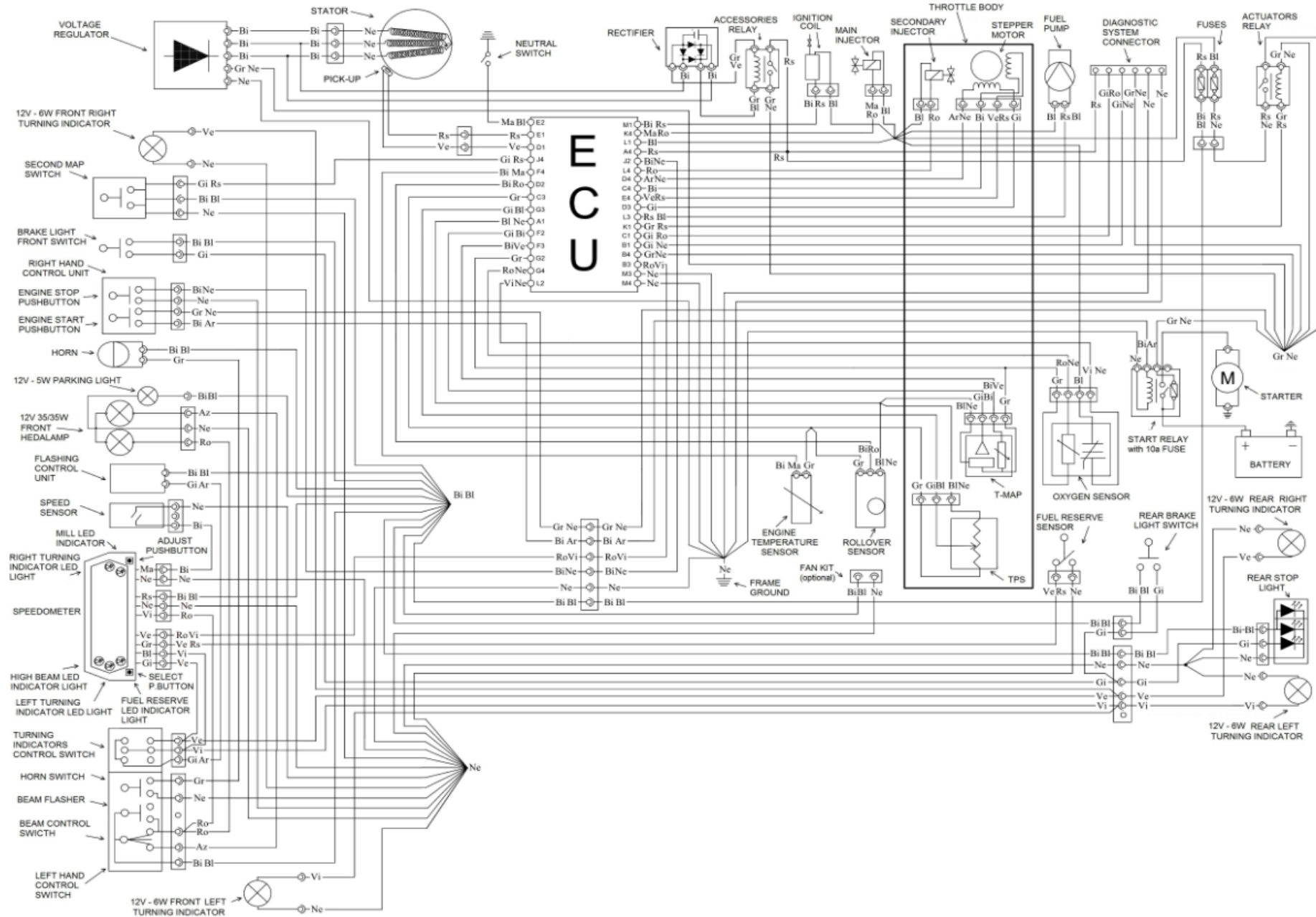


- Bi – WHITE
- Ve – GREEN
- Ma – BROWN
- Vi – PURPLE
- Bl – BLUE
- Ne – BLACK
- Gi – YELLOW
- Rs – RED
- Ar – ORANGE
- Az – LIGHT BLUE
- Ro – PINK
- Gr – GREY

2022+ Race Edition Wiring Legend

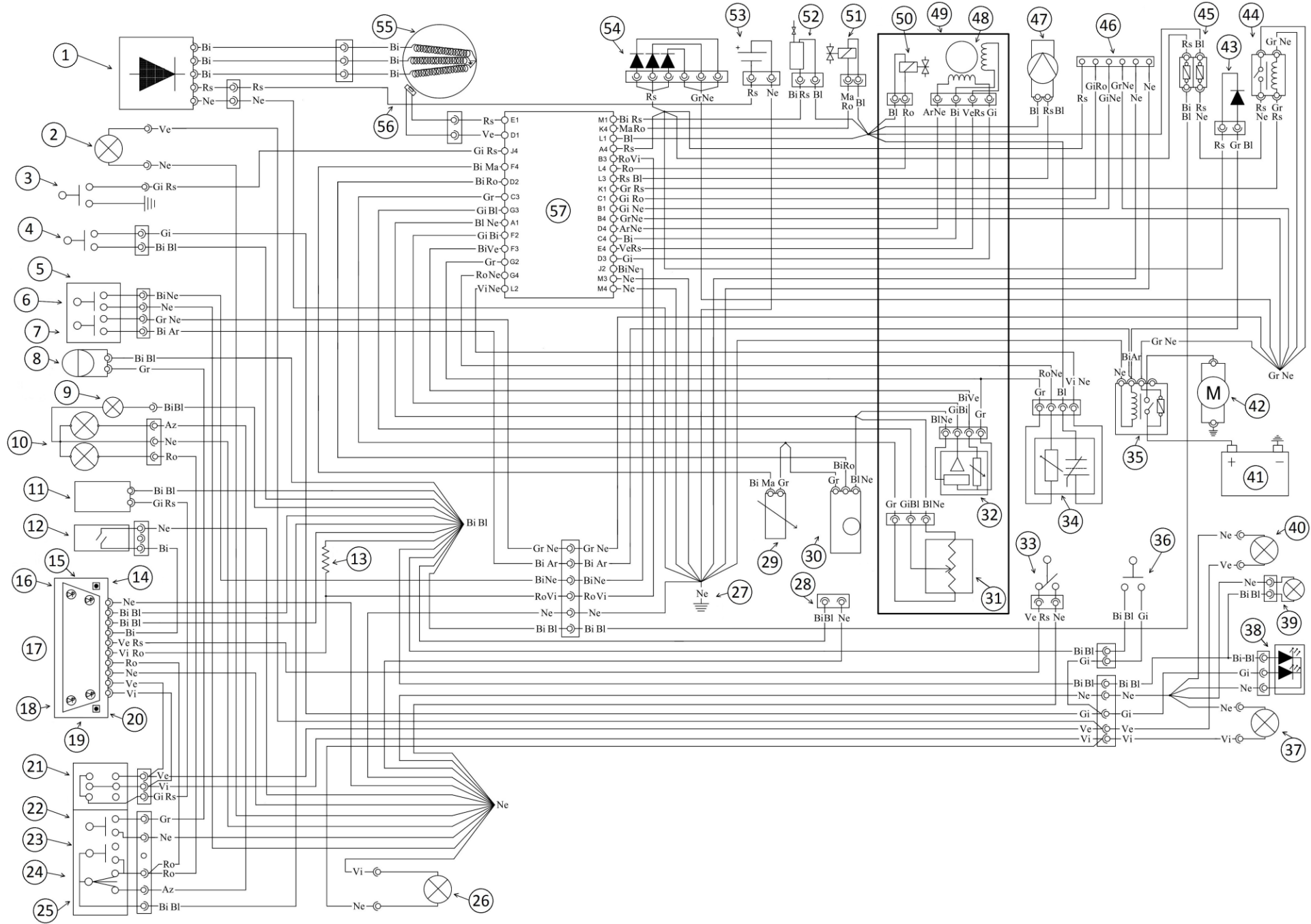
- 1) Regulator
- 2) Right front blinker
- 3) Map switch
- 4) Front brake light switch
- 5) Right hand switch
- 6) Kill button
- 7) Start button
- 8) Horn
- 9) Front headlight 12v 35/35 bulb
- 10) Headlight low beam
- 11) Flasher
- 12) Wheel speed sensor
- 13) Meter adjust button
- 14) EFI warning light
- 15) Right signal indicator
- 16) Speedometer
- 17) Fuel reserve light
- 18) Meter select button
- 19) Left signal indicator
- 20) High beam indicator
- 21) Blinker switch
- 22) Horn button
- 23) Headlight flash switch
- 24) Light switch
- 25) Left hand switch
- 26) Left front blinker
- 27) Fuel reserve sensor
- 28) Plug for optional cooling fan
- 29) Frame ground
- 30) Engine temp sensor
- 31) Tip over sensor
- 32) T-map sensor
- 33) TPS sensor
- 34) Rear brake stop light switch
- 35) O2 sensor (EU only)
- 36) Left rear blinker
- 37) Rear tail/brake light
- 38) Right rear blinker
- 39) Battery
- 40) Starter relay (solenoid)
- 41) Starter motor
- 42) Main relay with 10A fuse
- 43) 10 A fuses
- 44) Diagnostic port
- 45) Fuel pump
- 46) Stepper motor
- 47) Throttle body
- 48) Front injector
- 49) Rear injector
- 50) Accessories relay
- 51) Coil
- 52) Gear selector sensor
- 53) ECU
- 54) Pick up sensor
- 55) Stator

2020-21 350-480 Race Edition



- Bi - WHITE
- Ve - GREEN
- Ma - BROWN
- Vi - PURPLE
- BI - BLUE
- Ne - BLACK
- Gi - YELLOW
- Rs - RED
- Ar - ORANGE
- Az - LIGHT BLUE
- Ro - PINK
- Gr - GREY

18-19 350-480 Race Edition



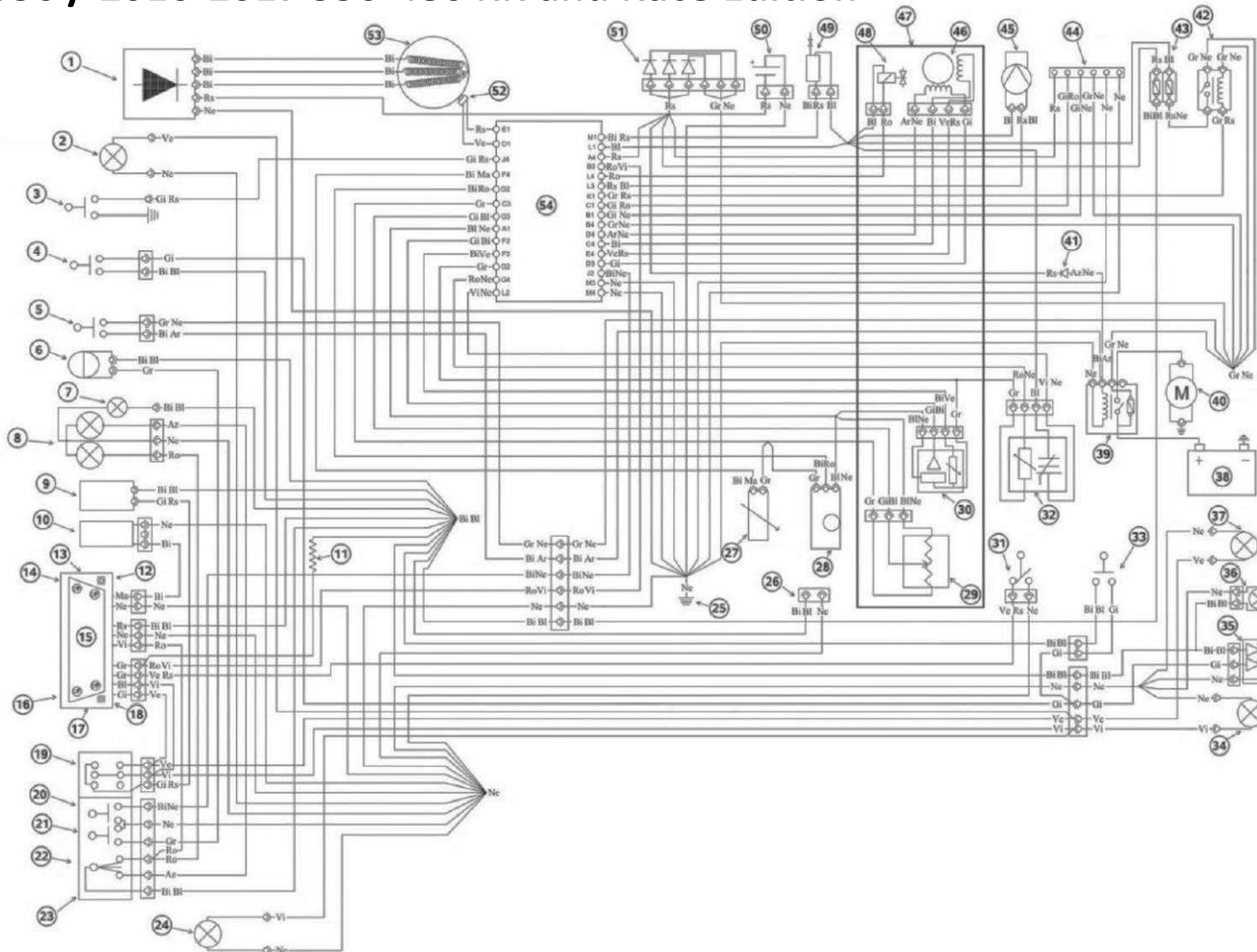
- Bi - WHITE
- Ve - GREEN
- Ma - BROWN
- Vi - PURLE
- Bl - BLUE
- Ne - BLACK
- Gi - YELLOW
- Rs - RED
- Ar - ORANGE
- Az - LIGHT BLUE
- Ro - PINK
- Gr - GREY

18-19 Race Edition Wiring Legend

ELECTRICAL DIAGRAM LEGEND

- | | | |
|---|---------------------------------------|------------------------------------|
| 1) Regulator | 20) Speedometer mode button | 39) License plate light |
| 2) Right front blinker
12V – 6W bulb | 21) Blinker switch | 40) Right rear blinker
12V – 6W |
| 3) Map switch | 22) Horn switch | 41) 12V Battery |
| 4) Front brake light switch | 23) Headlight flasher button | 42) Starter |
| 5) Left hand switch | 24) High/low beam switch | 43) Starting diode |
| 6) Kill button | 25) Left hand switch | 44) Main relay |
| 7) Start button | 26) Left front blinker
12V – 6W | 45) 10 Amp fuses |
| 8) Horn | 27) Ground to frame | 46) Diagnostic connector |
| 9) 5w low beam | 28) Fan wires | 47) Fuel pump |
| 10) Headlight 12v 35/35W | 29) Temperature sensor | 48) Throttle body |
| 11) Flasher | 30) Tip over sensor | 49) Stepper motor |
| 12) Wheel speed sensor | 31) Throttle position sensor | 50) Injector |
| 13) Resistor 3.9 Kohm | 32) T-map sensor | 51) Rear injector |
| 14) Speedometer set button | 33) Low fuel sending unit | 52) Coil |
| 15) EFI Warning light | 34) O2 Sensor port | 53) Capacitor |
| 16) Blinker indicator | 35) Starter relay 10amp fuse | 54) Diode group |
| 17) Speedometer display | 36) Rear tail light switch | 55) Stator |
| 18) High beam indicator | 37) Left rear blinker
12V– 6W bulb | 56) Pick up coil |
| 19) Low fuel indicator | 38) Rear brake/tail light | 57) Control unit - ECU |

2015 350 / 2016-2017 350-480 RR and Race Edition



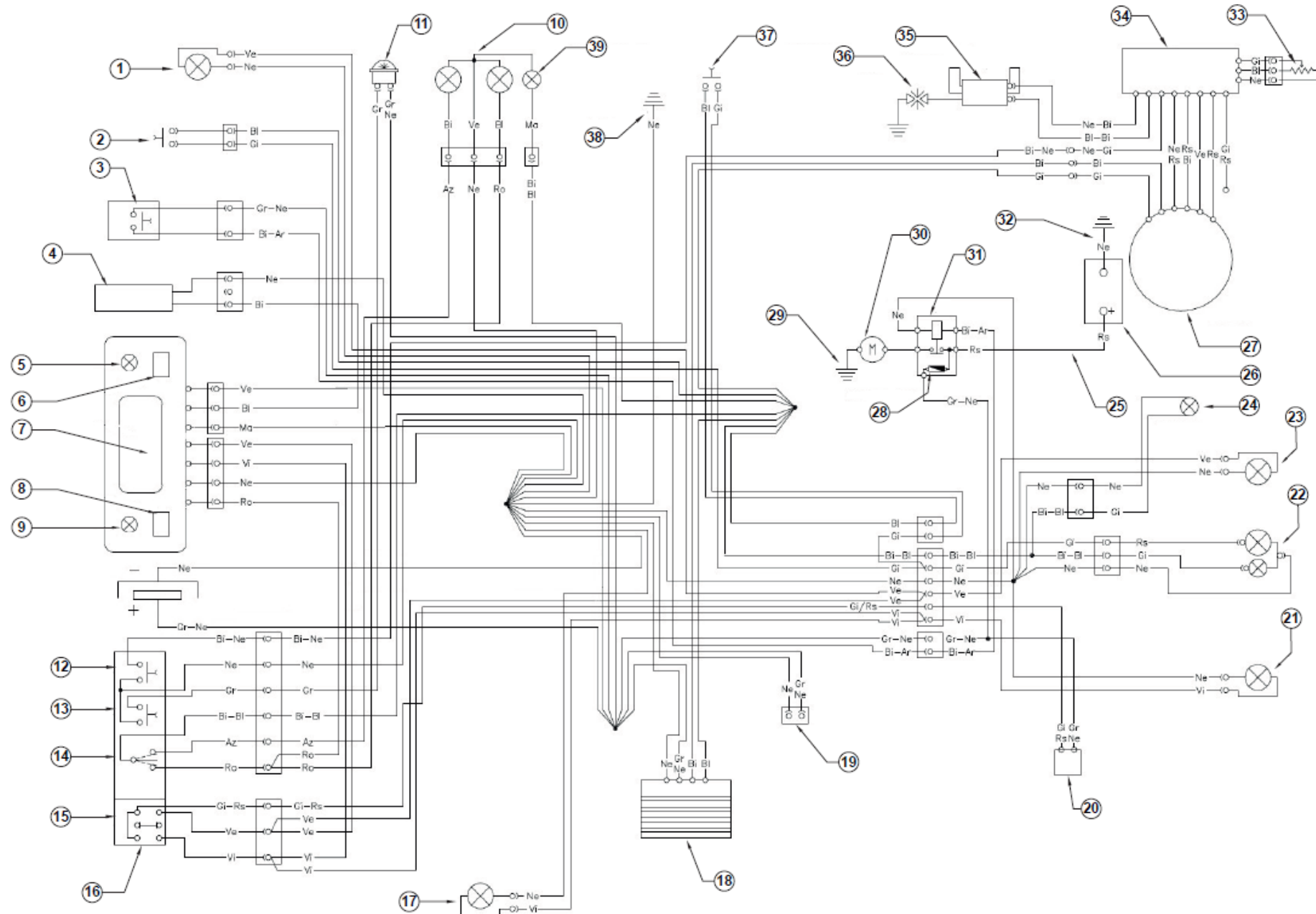
- Bi – WHITE
- Ve – GREEN
- Ma – BROWN
- Vi – PURPLE
- Bl – BLUE
- Ne – BLACK
- Gi – YELLOW
- Rs – RED
- Ar – ORANGE
- Az – LIGHT BLUE
- Ro – PINK
- Gr – GREY

2015 350 / 2016-2017 350-480 RR and Race Edition

ELECTRICAL DIAGRAM LEGEND

- | | | |
|-----------------------------------|--|---------------------------------|
| 1) Regulator | 19) Blinker switch | 37) Right rear blinker 12v-6w |
| 2) Right front blinker 12v-6w | 20) Engine stop button | 38) 12v Battery |
| 3) Duel map switch(optional) | 21) Horn switch | 39) Starter relay with 10A fuse |
| 4) Front brake light switch | 22) Light switch | 40) Starter |
| 5) Starter Button | 23) Switch assembly (left) | 41) Starting Diode |
| 6) Horn | 24) Left front blinker 12v-6w | 42) Main relay |
| 7) Low beam 12v-5w | 25) Ground to frame | 43) 10A Fuses |
| 8) Front headlight 12v 35/35w | 26) Electric fan (optional) | 44) Diagnostics connector |
| 9) Flasher | 27) Temperature sensor | 45) Fuel pump |
| 10) Speed sensor | 28) Rollover sensor | 46) Stepper Motor |
| 11) Resistor 3.9 kohm | 29) Throttle position sensor | 47) Throttle body |
| 12) Right function button (Meter) | 30) Temperature sensor/ manifold absolute pressure(T-MAP) | 48) Injector |
| 13) Diagnostics LED | 31) Low fuel sending unit | 49) Coil |
| 14) Blinker indicator | 32) Lambda probe | 50) 4700UF Capacitor |
| 15) Meter panel | 33) Rear brake light switch | 51) Charging diode unit |
| 16) High beam LED | 34) Left rear blinker 12v-6w | 52) Pick- up |
| 17) Fuel reserve LED | 35) Brake light | 53) Stator |
| 18) Left function button (meter) | 36) License plate light | 54) Control unit-ECU |

2013-2015 390-480 RR and Race Edition



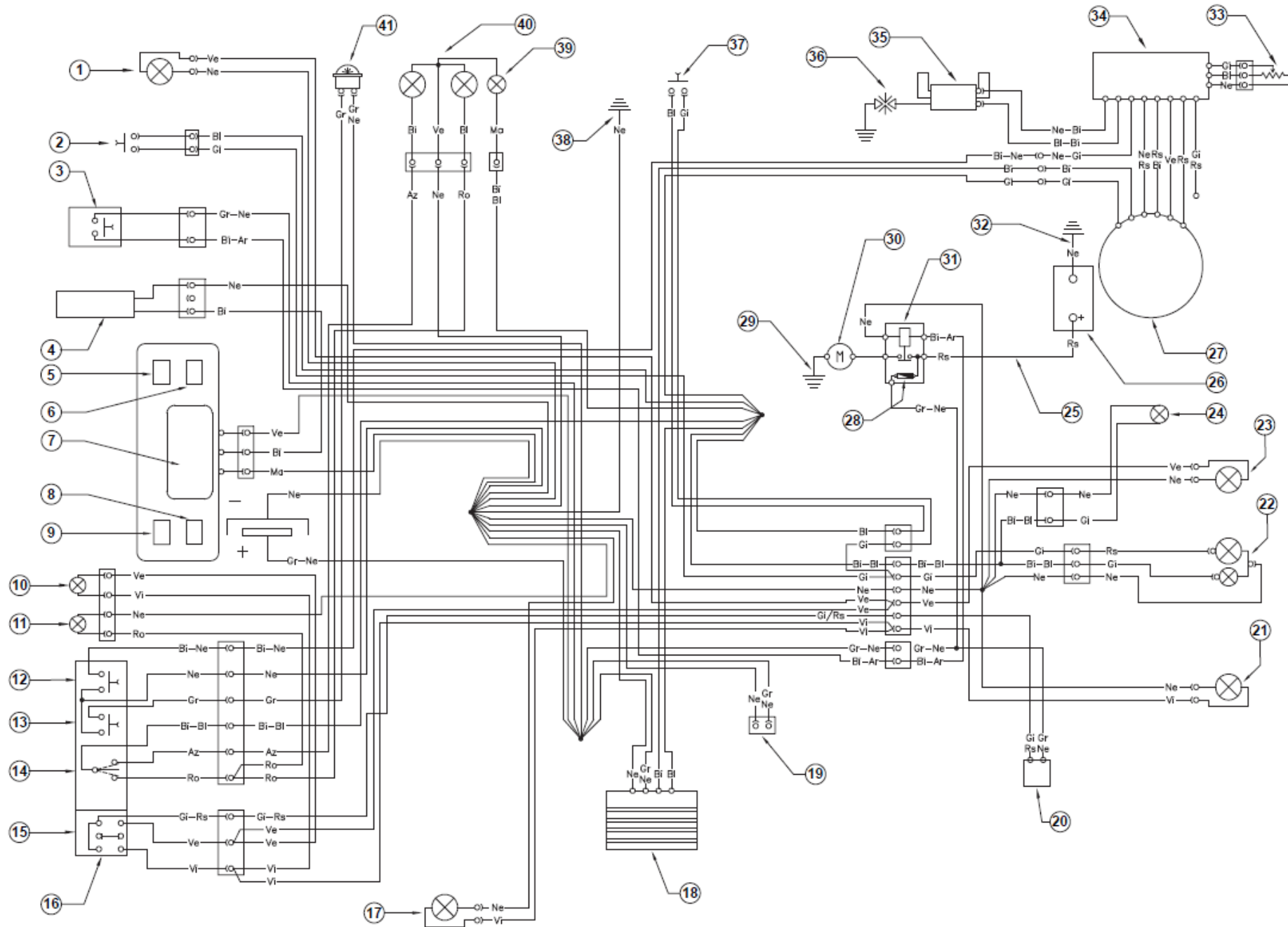
- Bi – WHITE
- Ve – GREEN
- Ma – BROWN
- Vi – PURPLE
- Bl – BLUE
- Ne – BLACK
- Gi – YELLOW
- Rs – RED
- Ar – ORANGE
- Az – LIGHT BLUE
- Ro – PINK
- Gr – GREY

2015 390-480RR and Race Edition

ELECTRICAL DIAGRAM LEGEND

1)	RIGHT-HAND FRONT TURN INDICATOR (12V-10W BULB)	21)	LEFT-HAND REAR TURN INDICATOR (12V-10W BULB)
2)	FRONT BRAKE LIGHT BUTTON	22)	TAIL LIGHT WITH LED
3)	START BUTTON	23)	RIGHT-HAND REAR TURN INDICATOR (12V-10W BULB)
4)	WHEEL REVOLUTION SENSOR	24)	NUMBER-PLATE LIGHT
5)	TRAFICATOR LIGHTS TELL TALE LAMP	25)	BATTERY POSITIVE TERMINAL
6)	RIGHT BUTTON	26)	BATTERY 12V - 4Ah
7)	DISPLAY	27)	GENERATOR
8)	LEFT BUTTON	28)	10A FUSE
9)	HEADLIGHT TELL TALE LAMP	29)	FRAME EARTH WIRE
10)	HEADLIGHT (12V-35/35W BULB)	30)	STARTER MOTOR
11)	12V HORN	31)	STARTER RELAY
12)	ENGINE STOP BUTTON	32)	BATTERY NEGATIVE TERMINAL
13)	HORN BUTTON	33)	TPS (THROTTLE POSITION SENSOR)
14)	HEADLIGHT SELECTOR	34)	ELECTRONIC CONTROL UNIT
15)	TURN SIGNAL LAMPS SWITCH	35)	HT COIL
16)	LEFT-HAND CONTROL GROUP	36)	SPARK PLUG
17)	LEFT-HAND FRONT TURN INDICATOR (12V-10W BULB)	37)	REAR BRAKE LIGHT BUTTON
18)	REGULATOR 12V	38)	FRAME EARTH
19)	ELECTRIC FAN KIT (OPTION)	39)	PARKING LIGHT 12V-5W
20)	UNIT TURN SIGNAL LAMPS		

2012 350-498 RR



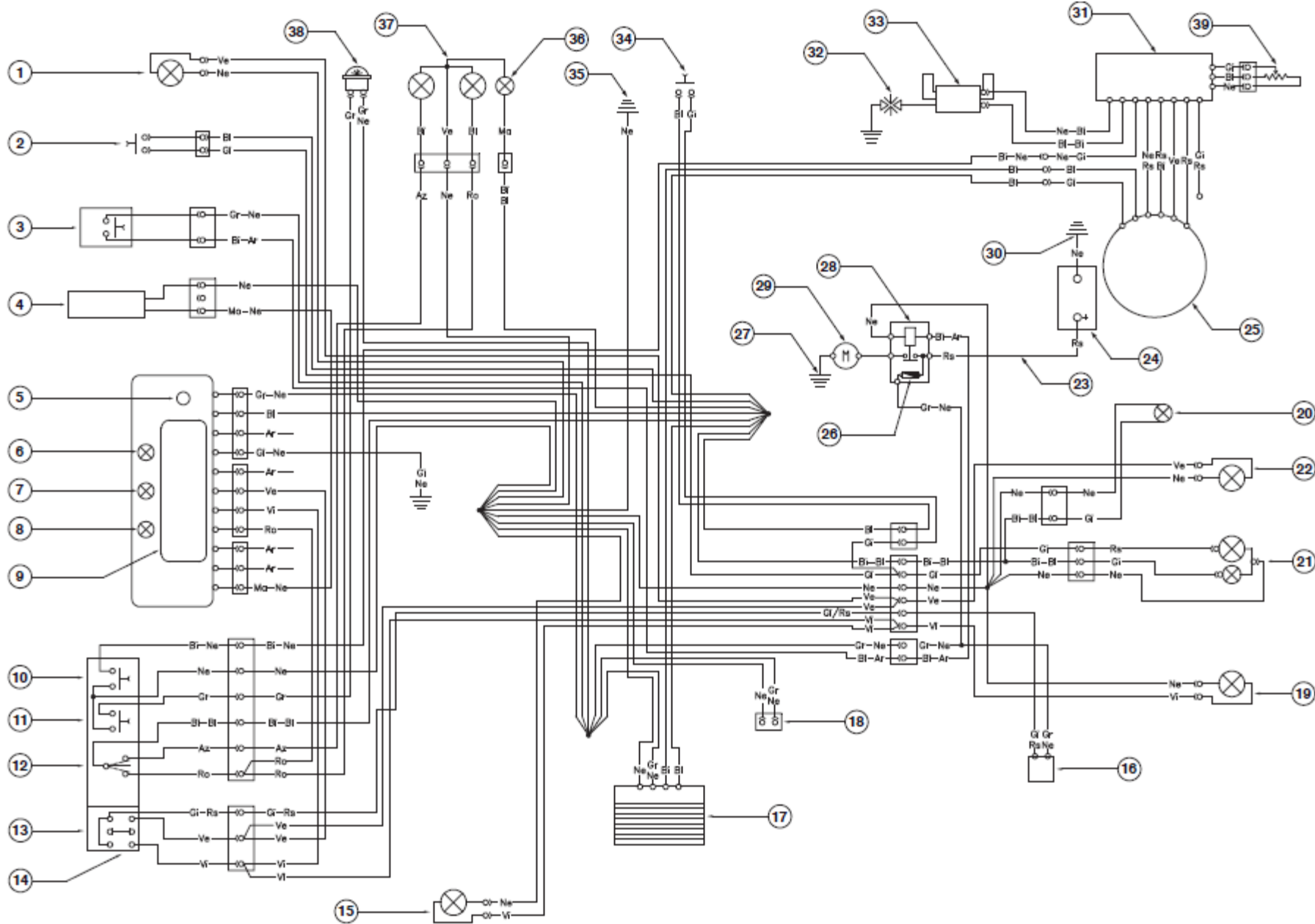
- Bi – WHITE
- Ve – GREEN
- Ma – BROWN
- Vi – PURPLE
- Bl – BLUE
- Ne – BLACK
- Gi – YELLOW
- Rs – RED
- Ar – ORANGE
- Az – LIGHT BLUE
- Ro – PINK
- Gr – GREY

2012 350-498 RR

ELECTRICAL DIAGRAM LEGEND

1)	RIGHT-HAND FRONT TURN INDICATOR (12V-10W BULB)	22)	TAIL LIGHT WITH LED
2)	FRONT BRAKE LIGHT BUTTON	23)	RIGHT-HAND REAR TURN INDICATOR (12V-10W BULB)
3)	START BUTTON	24)	NUMBER-PLATE LIGHT
4)	WHEEL REVOLUTION SENSOR	25)	BATTERY POSITIVE TERMINAL
5)	MODE BUTTON	26)	BATTERY 12V - 4Ah
6)	CTRL BUTTON	27)	GENERATOR
7)	DISPLAY	28)	10A FUSE
8)	DOWN BUTTON	29)	FRAME EARTH WIRE
9)	UP BUTTON	30)	STARTER MOTOR
10)	TRAFFICATOR LIGHTS TELL TALE LAMP	31)	STARTER RELAY
11)	HEADLIGHT TELL TALE LAMP	32)	BATTERY NEGATIVE TERMINAL
12)	ENGINE STOP BUTTON	33)	TPS (THROTTLE POSITION SENSOR)
13)	HORN BUTTON	34)	ELECTRONIC CONTROL UNIT
14)	HEADLIGHT SELECTOR	35)	HT COIL
15)	TURN SIGNAL LAMPS SWITCH	36)	SPARK PLUG
16)	LEFTHAND CONTROL GROUP	37)	REAR BRAKE LIGHT BUTTON
17)	LEFTHAND FRONT TURN INDICATOR (12V-10W BULB)	38)	FRAME EARTH
18)	REGULATOR 12V	39)	PARKING LIGHT 12V-5W
19)	ELECTRIC FAN KIT (OPTION)	40)	HEADLIGHT (12V-35/35W BULB)
20)	UNIT TURN SIGNAL LAMPS	41)	12V HORN
21)	LEFTHAND REAR TURN INDICATOR (12V-10W BULB)		

2010-2011 350-498 RR



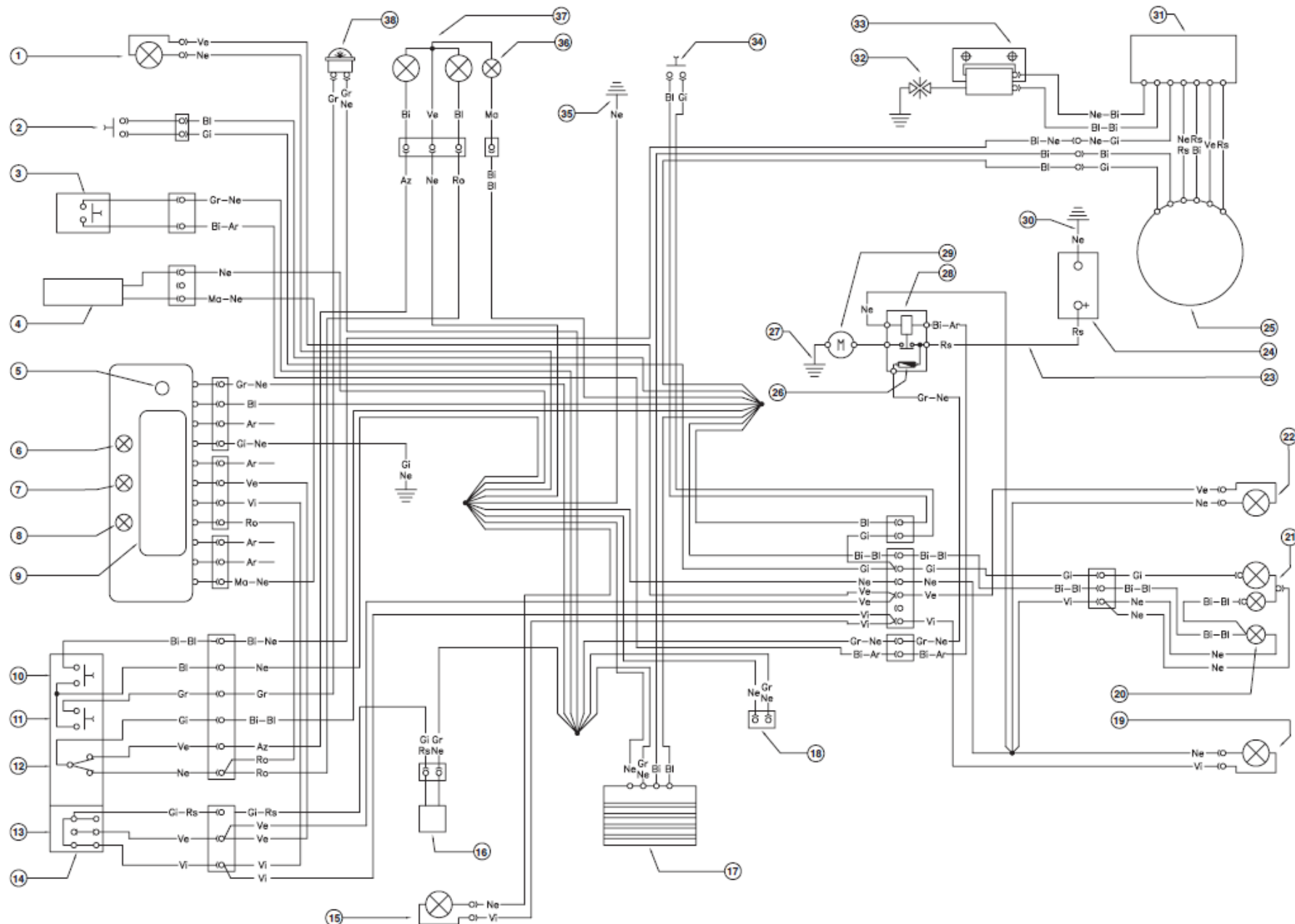
- Bi – WHITE
- Ve – GREEN
- Ma – BROWN
- Vi – PURLE
- Bl – BLUE
- Ne – BLACK
- Gi – YELLOW
- Rs – RED
- Ar – ORANGE
- Az – LIGHT BLUE
- Ro – PINK
- Gr – GREY

2010-2011 350-498 RR

ELECTRICAL DIAGRAM LEGEND

- | | | | |
|-----|---|-----|--|
| 1) | RIGHTHAND FRONT TURN INDICATOR (12V-10W BULB) | 21) | REAR OPTIC BATCH |
| 2) | FRONT BRAKE LIGHT BUTTON | 22) | RIGHTHAND REAR TURN INDICATOR (12V-10W BULB) |
| 3) | START BUTTON | 23) | BATTERY POSITIVE TERMINAL |
| 4) | WHEEL REVOLUTION SENSOR | 24) | BATTERY 12V-5Ah |
| 5) | SCROLL BUTTON | 25) | GENERATOR |
| 6) | TELL TALE LAMP (NO CONECT) | 26) | 10A FUSE |
| 7) | HEADLIGHT TELL TALE LAMP | 27) | EARTH BRAID |
| 8) | TRAFFICATOR LIGHTS TELL TALE LAMP | 28) | STARTER RELAY |
| 9) | DISPLAY | 29) | STARTER MOTOR |
| 10) | ENGINE STOP BUTTON | 30) | BATTERY NEGATIVE TERMINAL |
| 11) | HORN BUTTON | 31) | ELECTRONIC CONTROL UNIT |
| 12) | HEADLIGHT SELECTOR | 32) | SPARK.PLUG |
| 13) | TURN SIGNAL LAMPS SWITCH | 33) | AT COIL |
| 14) | L.H. SWITCH | 34) | REAR BRAKE LIGHT BUTTON |
| 15) | LH FRONT TURN SIGNAL (BULB 12V-10W) | 35) | FRAME EARTH |
| 16) | UNIT TURN SIGNAL LAMPS | 36) | PARKING LIGHT BULB, 12V-5W |
| 17) | REGULATOR 12V | 37) | HEADLIGHT (12V-35/35W BULB) |
| 18) | ELECTRIC FAN KIT (option) | 38) | 12V HORN |
| 19) | LEFTHAND REAR TURN INDICATOR (12V-10W BULB) | 39) | TPS THROTTLE POSITION SENSOR |
| 20) | NUMBER-PLATE LIGHT (12V-5W BULB) | | |

2005-2009 250-525 RR



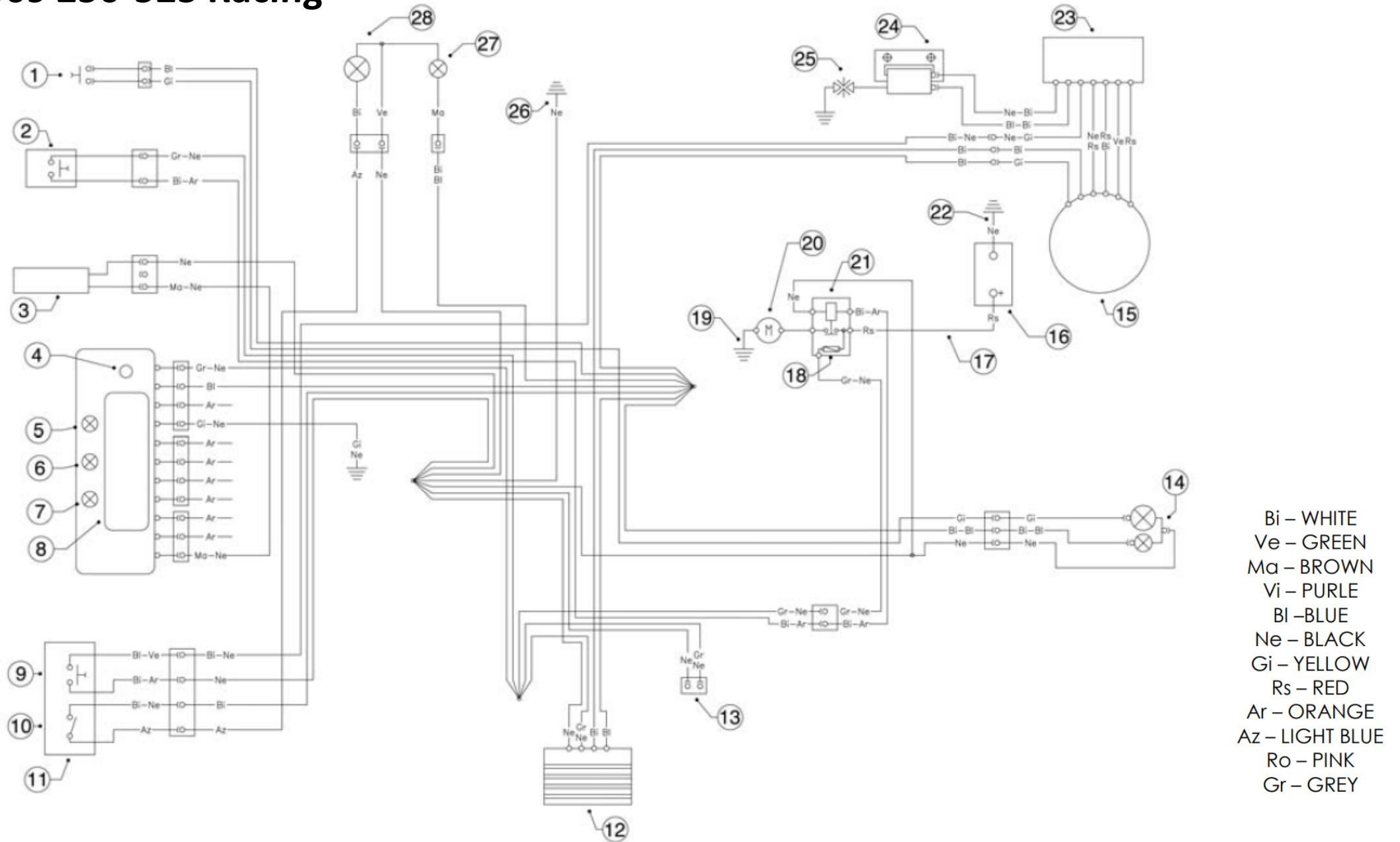
- Bi - WHITE
- Ve - GREEN
- Ma - BROWN
- Vi - PURLE
- BI - BLUE
- Ne - BLACK
- Gi - YELLOW
- Rs - RED
- Ar - ORANGE
- Az - LIGHT BLUE
- Ro - PINK
- Gr - GREY

2005-2009 250-525 RR

ELECTRICAL DIAGRAM LEGEND

- | | | | |
|-----|--|-----|---|
| 1) | RIGHT-HAND FRONT TURN INDICATOR (12V-10W BULB) | 20) | NUMBER-PLATE LIGHT (12V-5W BULB) |
| 2) | FRONT BRAKE LIGHT BUTTON | 21) | REAR LIGHT (12V-5/21 W BULB) |
| 3) | START BUTTON | 22) | RIGHT-HAND REAR TURN INDICATOR (12V-10W BULB) |
| 4) | WHEEL REVOLUTION SENSOR | 23) | BATTERY POSITIVE TERMINAL |
| 5) | SCROLL BUTTON | 24) | BATTERY 12V-5Ah |
| 6) | TELL TALE LAMP (NO CONECT) | 25) | GENERATOR |
| 7) | HEADLIGHT TELL TALE LAMP | 26) | 10A FUSE |
| 8) | TRAFFICATOR LIGHTS TELL TALE LAMP | 27) | EARTH BRAID |
| 9) | DISPLAY | 28) | STARTER RELAY |
| 10) | ENGINE STOP BUTTON | 29) | STARTER MOTOR |
| 11) | HORN BUTTON | 30) | BATTERY NEGATIVE TERMINAL |
| 12) | HEADLIGHT SELECTOR | 31) | ELECTRONIC CONTROL UNIT |
| 13) | TURN SIGNAL LAMPS SWITCH | 32) | SPARK.PLUG |
| 14) | L.H. SWITCH | 33) | AT COIL |
| 15) | LH FRONT TURN SIGNAL (BULB 12V-10W) | 34) | REAR BRAKE LIGHT BUTTON |
| 16) | UNIT TURN SIGNAL LAMPS | 35) | FRAME EARTH |
| 17) | REGULATOR 12V | 36) | PARKING LIGHT BULB, 12V-3W |
| 18) | ELECTRIC FAN KIT (option) | 37) | HEADLIGHT WITH 12V-25/25W |
| 19) | LEFT-HAND REAR TURN INDICATOR (12V-10W BULB) | 38) | 12V HORN |

2005-2009 250-525 Racing



2005-2009 250-525 Racing

ELECTRICAL DIAGRAM LEGEND

- | | | | |
|-----|---------------------------------|-----|---------------------------|
| 1) | FRONT STOP PUSH BUTTON | 15) | PICK-UP |
| 2) | STARTING BUTTON | 16) | BATTERY 12V-4Ah |
| 3) | SENSOR | 17) | BATTERY POSITIVE TERMINAL |
| 4) | PUSHBUTTON SCROLL | 18) | FUSE 10A |
| 5) | TELL TALE LAMP (NO CONECT) | 19) | EARTH |
| 6) | TELL TALE LAMP (NO CONECT) | 20) | STARTER MOTOR |
| 7) | TELL TALE LAMP (NO CONECT) | 21) | RELAY |
| 8) | DISPLAY | 22) | BATTERY NEGATIVE TERMINAL |
| 9) | ENGINE STOP BUTTON | 23) | ELECTRONIC CONTROL UNIT |
| 10) | LIGHT SWITCH | 24) | AT COIL |
| 11) | SWITCH SX | 25) | SPARK PLUG |
| 12) | REGULATOR 12V | 26) | FRAME EARTH |
| 13) | ELECTRIC FAN KIT (OPTION) | 27) | POSITION LAMP 12V-5W |
| 14) | REAR TAILLIGHT (12V-5/21W BULB) | 28) | HEADLAMP (12V-35W BULB) |